

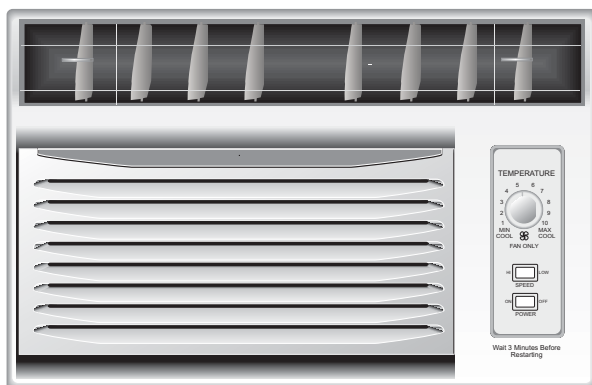
Haier

Domestic air conditioner

Version:00.00

Edition: 2007-2-4

SERVICE MANUAL



Model

HW-05C03/R1

● Features

- Top-Discharge Air Flow
- Ultra Quiet Operation
- Safty Power Cord
- EnvicoClean™ Coil
- Easy-Access Washable Filter
- Digital Display&Timer
- Energy Star(ESA3056)



Большая библиотека технической документации

<https://splitsystema48.ru/instrukcii-po-ekspluatácii-kondicionerov.html>

каталоги, инструкции, сервисные мануалы, схемы.

Content

1. Product Code Illumination and Series introduction.....	3
2. Specifications.....	4
3. Safety and Precaution.....	5
4. Warning and Cautions.....	6
5. Installation and Accessory Parts.....	7
6. Parts and Functions.....	12
7. Abnormity Diagnose.....	13
8. System Flow Chart.....	14
9. Wiring Diagram.....	15

Introductory Remarks

Description of coding rules of unit model

Coding rules and descriptions are as follows:



Refrigerant type:R1(R407C),R2(R410A)

Applicable voltage:3(220~230V),4(240V)

Applicable frequency:0(50HZ),1(60HZ)

Developing sequence :A,B,C,D...

Function code { L/C-cooling only
R/H-heat pump
E-electric aided heating

Nominal cooling capacity (BTU/h)with the first two numbers based on thousand unit

The structure code of indoor & outdoor unit: S(wall-mounted),W(window type),P (cabinet type)

H-Abbreviation of Haier

Examples:

HW-05C03/R1 represents Abbreviation of Window air conditioner .

The cooling capacity is 5000BTU/h and the power supply is 220-230V/50Hz

the refrigerant is R407C

Specifications:

Item		UNIT	HW-05C03/R1	
Cooling capacity		BTU/h	5000	
Heating capacity		BTU/h	/	
Power supply			1PH/220V/50Hz	
Cooling	Power input	W	625	
	Running current	A	5.2	
	EER	BTU/(hW)	8.2	
Heating	Power input	W	/	
	Running current	A	/	
	COP	BTU/(hW)	/	
Sound Level	Indoor side	dB(A)	51/50/49	
	Outdoor side	dB(A)	/	
Case	Height	mm	420	
	Width	mm	340	
	Depth	mm	326	
Packaging dimensions	Height	mm	373	
	Width	mm	535	
	Depth	mm	418	
Weight	Net	lbs	43.2	
	Gross	lbs	47.6	
Compressor	Type		Rotate	
	Model		PG108X1C-4BG	
	Running cap. for comp.	• F	25uf/450VAC	
	Starting method		PSC	
Pressure	Heating side	Psig	380	
	Cooling side	Psig	170	
Refrigerant	Model		R407C	
	Charge	kg	0.43	
Fan	Type	indoor unit	Acentric fan	
		outdoorunit	Axial fan	
	Fan speed	indoor unit	r/min	1040±30/950±40/850±50
		outdoorunit	r/min	1040±30/950±40/850±50
Air volume		CFM	177	
Moisture removal		Pints/hr	2.0	
Exchanging pipe type/ diameter		mm	Evaporator: φ 7 condenser: φ 7	
Fin material			Hydrophile aluminum foil	

3. Safety and Precaution

WARNING: Following these basic precautions will reduce the risk of



fire, electrical shock, injury or death when using your air conditioner.

1) Air conditioner must be connected to proper electrical outlet with the correct electrical supply. (See table)



2) Proper grounding must be ensured to reduce the risk of shock and fire.

DO NOT CUT OR REMOVE THE GROUNDING PRONG.

If you do not have a three-prong electric receptacle outlet in the wall, have a certified electrician install the proper receptacle. The wall receptacle **MUST** be properly grounded.



3) **DO NOT** use if power cord is frayed or damage. Also avoid using if there are cracks or abrasion damage along the length, plug or connector.



4) **DO NOT USE AN ADAPTER OR AN EXTENSION CORD.**



5) When installing your air conditioner in a window, make sure the window is strong enough to hold the weight of the air conditioner. You also want to secure and correctly install your air conditioner properly to prevent it from falling. Extra brackets or support may be required depending on your window.

6) Do not block airflow inside or outside the air conditioner with blinds, drapes, protective covers, shrubs or bushes.

7) Be careful of sharp edges on the front and rear fins of the unit that could cut and cause serious injury.

8) Be careful when lifting the air conditioner to install or remove the unit. Always use two or more people for this.

9) Always unplug the air conditioner before servicing it or moving it.

3. Safety and Precaution

WARNING: Following these basic precautions will reduce the risk of



fire, electrical shock, injury or death when using your air conditioner.

1) Air conditioner must be connected to proper electrical outlet with the correct electrical supply. (See table)



2) Proper grounding must be ensured to reduce the risk of shock and fire.

DO NOT CUT OR REMOVE THE GROUNDING PRONG.

If you do not have a three-prong electric receptacle outlet in the wall, have a certified electrician install the proper receptacle. The wall receptacle **MUST** be properly grounded.



3) **DO NOT** use if power cord is frayed or damage. Also avoid using if there are cracks or abrasion damage along the length, plug or connector.



4) **DO NOT USE AN ADAPTER OR AN EXTENSION CORD.**



5) When installing your air conditioner in a window, make sure the window is strong enough to hold the weight of the air conditioner. You also want to secure and correctly install your air conditioner properly to prevent it from falling. Extra brackets or support may be required depending on your window.

6) Do not block airflow inside or outside the air conditioner with blinds, drapes, protective covers, shrubs or bushes.

7) Be careful of sharp edges on the front and rear fins of the unit that could cut and cause serious injury.

8) Be careful when lifting the air conditioner to install or remove the unit. Always use two or more people for this.

9) Always unplug the air conditioner before servicing it or moving it.

4. Warning and Cautions

WARNINGS: Following the safety messages is very important.



These messages can save you from being injured or killed. Warning symbols alert you to be careful and means Danger. Always follow instructions to be safe and reduce chances of injury or death. Warning and Danger signs will precede safety messages.

Electrical Safety

Grounding: This room air conditioner must be grounded. Grounding reduces the risk of electric



shock by providing an escape wire for the electric current. The power cord has a grounding wire with a grounding plug. Plug it into an outlet that is properly installed and grounded.

WARNING: Improper use of the grounding plug can result in a risk of electric shock. Call a



qualified electrician if you don't understand the grounding instructions or if you are not sure if the air conditioner is properly grounded. If the wall outlet is not grounded, please contact an electrician to have it replaced with a properly grounded outlet.

Do not, under any circumstances, cut or remove the third (ground) prong from the power cord.

Adapter Plug: We strongly advise against using an adapter plug.

Installation and Accessory Parts

Before you install your air conditioner check the following:

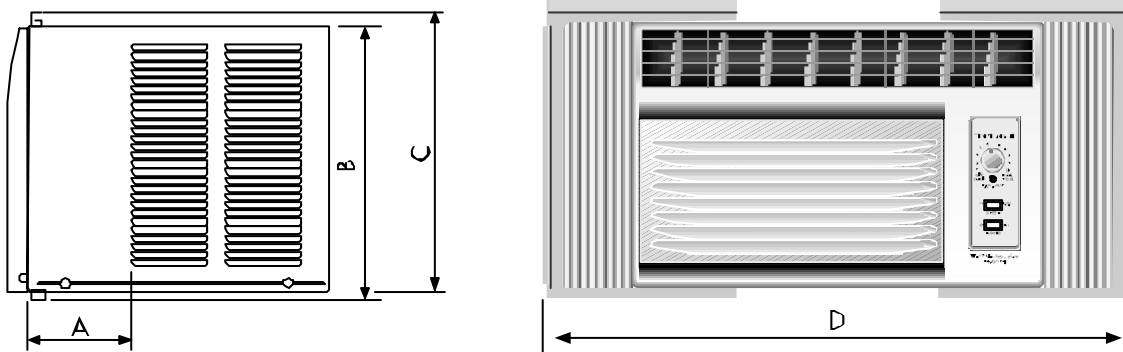
- 1) The unit is free of all obstructions inside and outside the room e.g. drapes, curtains, furniture, plants, shrubs, bushes, trees, other structures like building, garage etc. Air conditioner must have clear unobstructed airflow through the condenser to remove the heat.
- 2) The window is strong enough to hold the weight of the air conditioner. Extra brackets or supports may be needed depending on your windows. (Brackets or Supports not provided in all models)
- 3) The window sill and track are strong enough to hold the weight of the air conditioner.
- 4) The wall is strong enough to hold the unit. Extra brackets or supports may be needed depending on the wall. (Brackets or Supports not provided in all models).
- 5) There is adequate and proper power supply near the air conditioner.
- ⚠ 6) DO NOT use adapter plugs.
- ⚠ 7) DO NOT use extension cords.
- ⚠ 8) DO NOT cut or remove the ground prong.
- ⚠ 9) DO NOT modify the plug or the electrical wall outlet in any way. If plug does not fit the electrical outlet have a certified electrician do the necessary change.
- ⚠ 10) DO NOT connect electrical power to the unit before installation.
- ⚠ 11) DO NOT use if power cord is worn out, frayed or otherwise damaged. Avoid using if there are cracks or abrasion damage along the length, plug or connection.
- ⚠ 12) DO NOT install into any existing cabinet or sleeve which does not have side and top air vents.
- ⚠ 13) Be careful of exposed sharp edges of the cabinet and sharp coils (fins) on the back of the unit that could cut and cause serious injury.

Installation and Accessory Parts

Installing Unit into A Window

Window Opening Requirements

The air conditioner is designed to fit into double or single hung sash type windows. Each of the units comes with an installation kit that provides adjustable mounting louvers, to fill the gaps between the sides of the unit, and the window frame. The chart below reflects the dimensions of the units with, and without installation kits. Measure your window opening width and compare it to the chart below to ensure that it meets the minimum and maximum window width requirements.



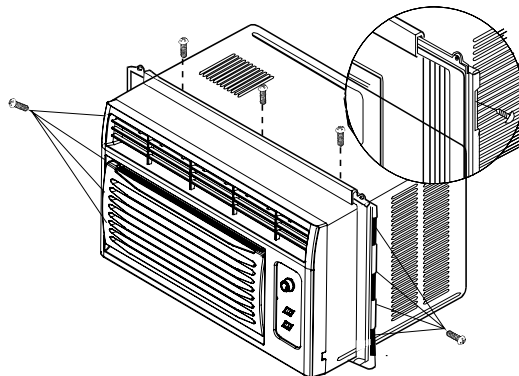
Model	Dimension	Dimension
		HWF06XC5
A(inch)		5 ³ / ₂₅ "
B(inch)		12 ³ / ₅ "
C(inch)		13 ² / ₅ "
D(inch) Max		33 ¹ / ₅ "
D(inch) Min		22 ¹ / ₂ "
Case High		12 ⁷ / ₁₆ "
Case Width		18 ⁹ / ₁₆ "
Case Depth		13 ³ / ₈ "

1 ASSEMBLE CURTAINS/ TOP RAIL

Install top rail with 3 short screws 13/32".

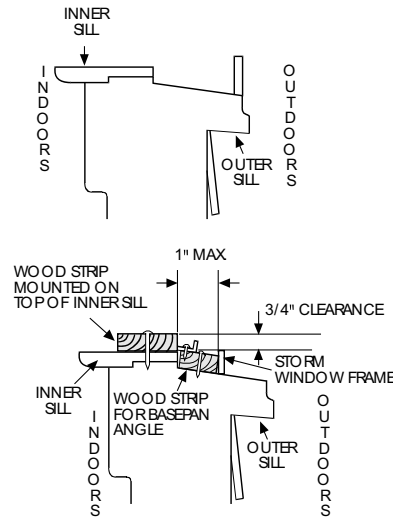
Insert the side curtains into the top and bottom rails of the air conditioner. Fasten the curtains to the unit with 8 short screws 13/32".

Caution: Never expose plastic front or grille to extreme temperatures.



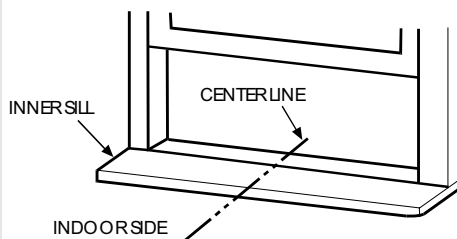
2 PREPARE WINDOW FOR INSTALLATION

1. This unit is designed for installation in standard double hung windows with actual opening widths of 22" to 36" . The upper and lower sash must open sufficiently to allow a clear vertical opening of 14" from the bottom of the sash to the window stool.
2. If storm window presents interference, fasten a 2" wide wood strip(not included) (O U T E R S I L L) to the inner window sill across the full width of the sill. The wood strip should be thick enough to raise the height of the window sill so that the unit can be installed without interference by the storm window frame (S T O R M W I N D O W F R A M E) or wood strip (O U T D O O R S) to help condensation to drain properly to the outside.
3. Install a second wood strip (approximately 6" long by 3/2" wide and same thickness as first strip) in the center of the outer sill flush against the back off the inner sill. This will raise basepan angle .
4. If the distance between S T O R M W I N D O W F R A M E and W O O D S T R I P M O U N T E D O N T O P O F I N N E R S I L L is more than 1" , two of wood strip are not necessary.



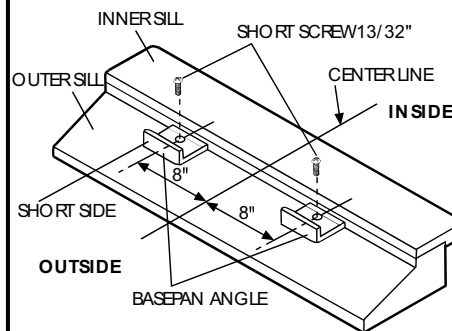
3 LOCATING UNIT IN WINDOW

Open the window and mark center line on the center of the inner sill.



4 ATTACH BASEPAN ANGLE

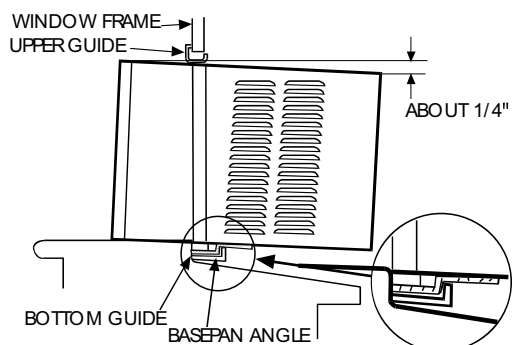
Install the basepan angle behind the inner window sill, with the short side of basepan angle as shown. Use the 2 short screws 13/32" provided. The basepan angle helps to hold unit securely in place. Be sure to place basepan angle edge flush against back of inner sill.



Installation and Accessory Parts

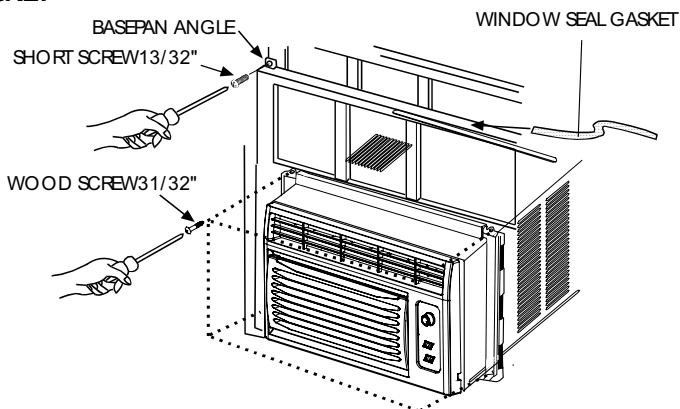
5 INSTALL THE AIR CONDITIONER IN THE WINDOW

Carefully lift the air conditioner and slide it into the open window. Make sure the bottom guide of the air conditioner drops into the notches of the basepan angle. While steadying the air conditioner, carefully bring the window sash down behind the upper guide of the air conditioner.



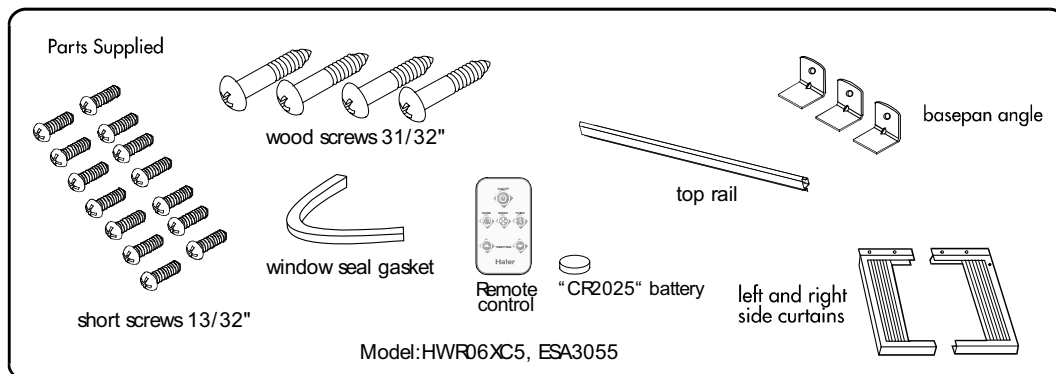
6 INSTALL THE SEAL GASKET AND SASH LOCK

Extend the side curtains to fill the window opening using 4 wood screws 31/32" to secure them. Cut the seal gasket to the window width. Stuff the sash seal between the glass and the window to prevent air and insects from getting into the room. Fasten the basepan angle, using a short screw 13/32".



Installation and Accessory Parts

Parts



Tools

You will need to have the following tools to help you in the installation of your air conditioner.

- Scissors
- Phillips Screwdriver
- Standard Screwdriver
- Pliers
- Wrench
- Drill and Drill Bits
- Tape Measure
- Gloves
- Level
- Sockets

Parts and Functions



MODEL: HWR06XC6, ESA3056

1. Thermostat

This allows you to adjust the temperature of the air. The lower the setting the cooler the air temperature. With this you can set the temperature to your desired comfort level. You can set the temperature between 61°F and 86°F.

2. fan Speed

You have 2 levels of Fan speed to set at your desired comfort level.

3. Function.

Your air conditioner has 2 Functions.

a) COOL

Here the air conditioner will operate the compressor and the desired fan speed set to give you chilled cold air for your comfort.

b) Fan

You can run the fan only on not so hot days. The fan can be set to run at 2 speeds as desired by you.

4. Timer

Your air conditioner can be set to go on or off at your desire. This can be done up to 24 hours in advance.

5. 4 Way Air Flow

These air directional louvers let you control the direction of the airflow in your required direction.

The airflow can be directed right side -- left side.

6. Window Install Kit

Enables you to install the air conditioner in a double hung window. Extra brackets or support may be needed depending on your window.

7. Remote Control

This full functional wireless remote allows you to operate your air conditioner from a distance. You need not have to get up to change the settings, the functions or to turn the unit on or off.

8. LED Display Electronic Control Panel

The 4 function LED displays Room Temperature, Temperature Setting, Timer Setting and Time Remaining to Stop / Start the unit. Electronic Control Panel lets you set the temperature to the Exact Temperature you desire.

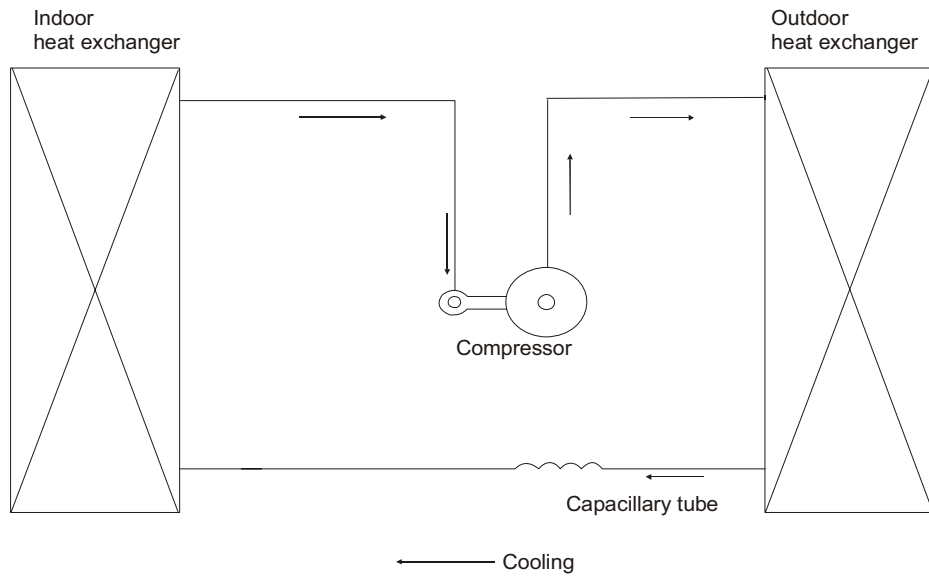
9. Electrostatic Filter (not all models)

Being constructed of high efficiency purifying substance, active carbon fabric, electrostatic fabric, electrostatic active carbon net and other materials it purifies the air effectively. Its wavy structure increases the capability to filter dust and smoke effectively. Due to the retention of the active carbon it has a high purifying speed capable of strong airflow.

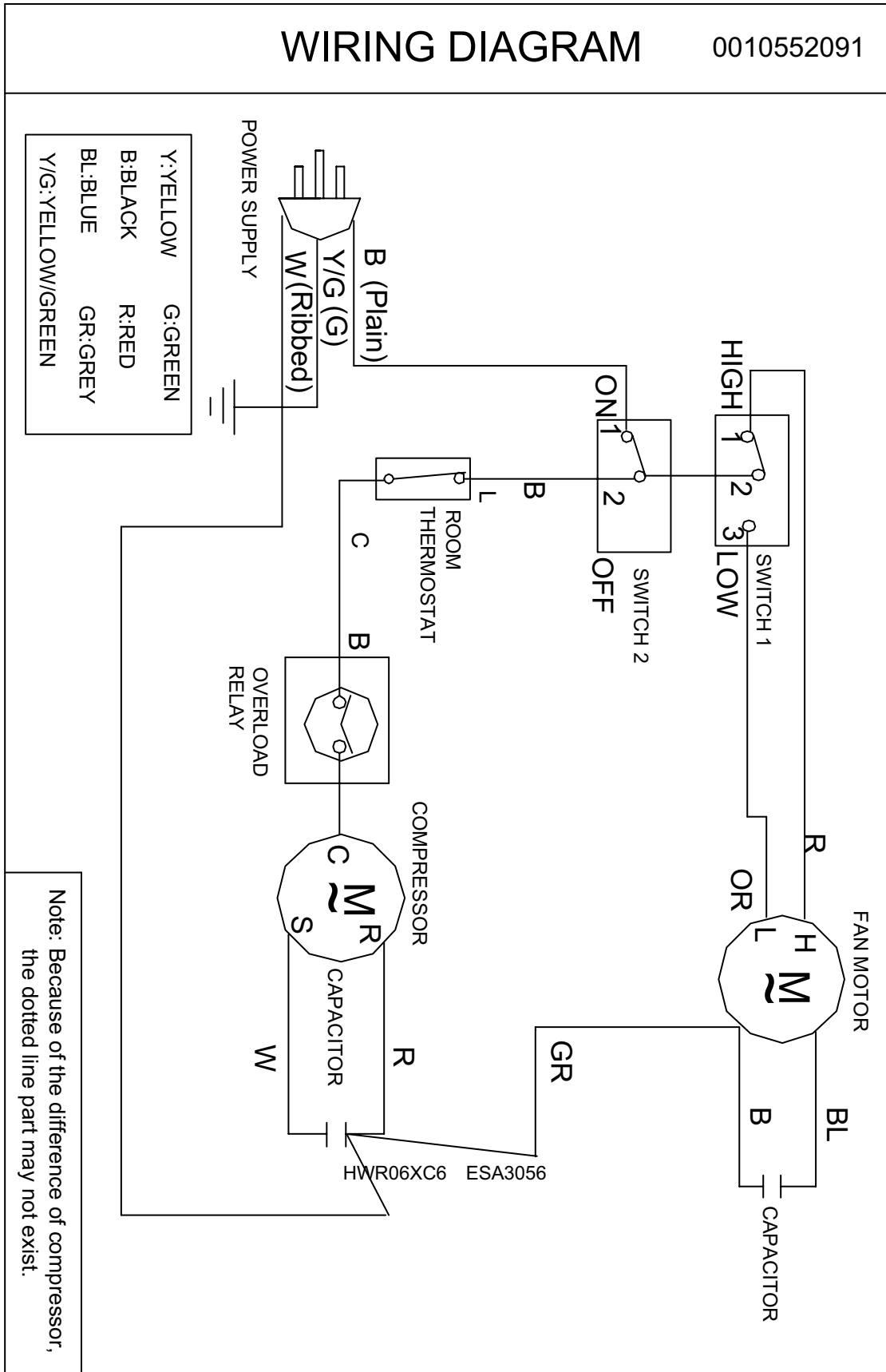
Abnormity Diagnose

1. Sensor diagnose: 2 seconds after the sensors open circuit or short circuit, the unit will turn off automatically and the LED will show E0 until the sensors resume.
2. Keystroke circuit error diagnose: When power on for the first time, the PCB will check the keystroke circuit, if the sampling value is different with the theory value, the LED will show E1, which means failed keystroke circuit. The keyboard is locked and so invalid, but the remote control is working normally.

System Flow Chart



Wiring Diagram



Haier Group

Haier Industrial Park, No.1, Haier Road

266101, Qingdao, China

<http://www.haier.com>

16

Sincere Forever



Большая библиотека технической документации

<https://splitsystema48.ru/instrukcii-po-ekspluatacii-kondicionerov.html>

каталоги, инструкции, сервисные мануалы, схемы.